

UDU 5 M P/D SG

Manual disinfectant dispenser with open refill system

Art. No. 1423532



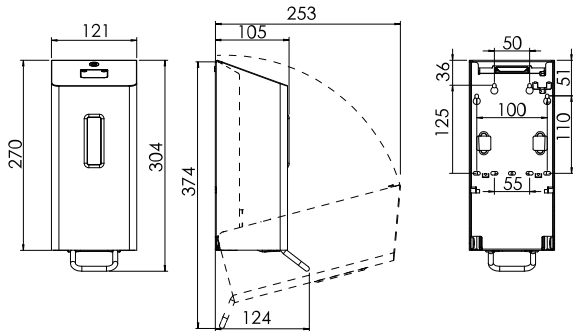
OPHARDT HYGIENE-TECHNIK GmbH

Lindenau 27 | 47661 Issum | Germany

Tel.: +49 (0) 28 35 18-10 | Fax: +49 (0) 28 35 18-77

planer@ophardt.com | www.ophardt.com

UDU 5 X10 Manual



Maße in mm - Dimensions in mm



References

airports, train stations, schools, kindergardens, hotels, restaurants, commercial kitchen, food processing areas, prisons, exhibitions, conference centres, shopping centres, fitness and sports centres, industry, laboratories, administration facilities

Usage examples

washrooms, toilets, baths, nursing and examination rooms, kitchens, production facilities, entrance area

Technical data

Dispenser type:	refillable dispenser
Housing:	Stainless steel, anthracite powder-coated with a subtle structure
Back plate:	Stainless steel
Filling volume (ml):	600 ml
Dosing pump:	long-life plastic spray pump
Dosage quantity:	0.6 / 1.0 / 1.4 ml/stroke
Filling good:	Disinfectant
Operating type:	short operating stainless steel lever
with/without viewing window:	Clear
with drip tray:	No
Lock:	SanTRAL vandalism-proof lock, plastic
Mounting:	Wall mounting with 4 screws and wall plugs, recommended distance to the countertop min. 20 cm
Cleaning:	manual wipe disinfection, not dishwashersafe, not autoclavable
Warranty:	5 years
Net weight:	1.41 kg
Dimensions (W x H x D) in mm:	121x304x124
Note:	Before using new products, please always check the compatibility of the product and the dispensing system to ensure proper functionality.

Compatible accessories

UDU 5/11 M drip tray	Art. No. 1424773
Prevents the dripping of the disinfectant off the hand onto the floor	
disinfection point SanTRAL	Art. No. 1423337
High-quality hygiene stand for effective hand disinfection	

Please see other accessories in our Online Product Catalogue.