

82094

Katrin Plastic Dispenser For System Paper Towel Roll, White

- When paper is not visible, there is an easy-to-use PUSH lever for paper feeding
- Controlled consumption and minimum resistance to draw
- All Katrin System Hand Towel Rolls fit the dispenser
- Paper consumption is easy to control, thanks to the transparent side panels
- Designed to function: Low pull force cutting unit and customized Anti-jam cutting unit design
- Locks on both sides of the dispenser for more flexibility when the dispenser is to be opened
- Main raw materials of major plastic parts and lock: ABS (Acrylonitrile butadiene styrene), PC (polycarbonate), POM (polyoxymethylene)
- Comply with UL94 Fire Safety and Fire Protection regulations (EU)



ISO 9001 **ISO 14001**

Country of Origin: Slovakia

Product

Length/Depth	216 mm	Colour	White
Width	322 mm	Gross weight	2.940 kg
Height	397 mm		

Trading unit

Length/Depth	418 mm	Gross weight	3.42 kg	EAN
Width	331 mm	Consumer packs/trading unit	1	
Height	248 mm			



Pallet

Length/Depth 1,200 mm

Gross weight 107.23 kg

EAN

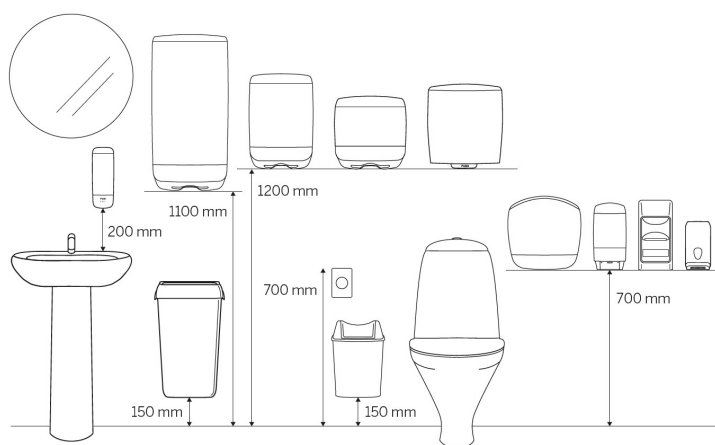


Width 800 mm

Trading units / pallet 24

Height 1,142 mm

Measurements and Installing



Related products

Selection from all countries. Please refer to web page for market-specific availability.



460232
Katrin Dispenser Paper
Towel Roll System Large
2-Ply



460201
Katrin Dispenser Paper
Towel Roll System Medium
1-Ply



460102
Katrin Dispenser Paper
Towel Roll System Medium
2-Ply



58198
Katrin Dispenser Paper
Towel Roll System Medium
2-Ply



460263
Katrin Dispenser Paper
Towel Roll System Medium
2-Ply, Blue



82537
Katrin Plus Dispenser
Paper Towel Roll System



38015
Katrin Plus Dispenser
Paper Towel Roll System
M 3-Ply



94950
Katrin Plus Dispenser
Paper Towel Roll System
Medium 2-Ply



460058
Katrin Plus Dispenser
Paper Towel Roll System
Medium 2-Ply



58167
Katrin Plus Dispenser
Paper Towel Roll System
Medium 2-Ply



57795
Katrin Plus Dispenser
Paper Towel Roll System
Medium 2-Ply

This leaflet is provided for information purposes only and no liability of any kind is accepted for potential errors or inaccuracies. Metsä Tissue reserves the right to alter its products, product information and product range without any notice.