

AB 6 HB 1 P

Compact waste bin for wall mounting or stand alone

Art. No. 232600

OPHARDT
HYGIENE

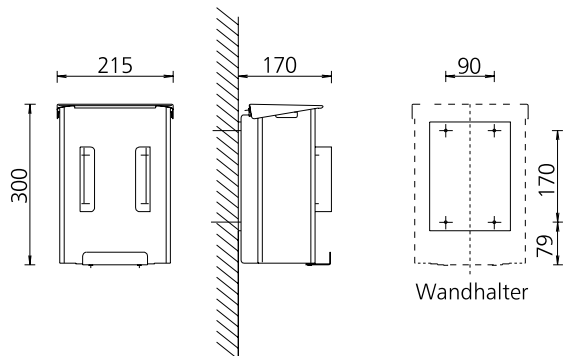
OPHARDT HYGIENE-TECHNIK GmbH

Lindenau 27 | 47661 Issum | Germany

Tel.: +49 (0) 28 35 18-10 | Fax: +49 (0) 28 35 18-77

planer@ophardt.com | www.ophardt.com

AB 6 HB 1



Maße in mm - Dimensions in mm



References

hospitals, clinics, retirement/care homes, dental practices, restaurants, laboratories, rehabilitation facilities, administration facilities

Usage examples

toilets, washrooms, nursing and examination rooms

Technical data

Waste bin type:	enclosed waste bin
Housing:	Aluminium, white powder-coated (RAL 9010)
Filling volume (liter):	6 liter
Hygienic bag type:	paper bags
Mounting:	Wall mounting with 4 screws and wall plugs
Cleaning:	manual wipe disinfection, not dishwashersafe, not autoclavable
Warranty:	5 years
Net weight:	1.245 kg
Dimensions (W x H x D) in mm:	215x300x170

Compatible accessories

Polybags PB 1	Art. No. 461500
Hygienic plastic bags for feminine hygiene articles in a washroom HYGB	Art. No. 509200
Hygienic bags for the washroom	

Please see other accessories in our Online Product Catalogue.