

IMP HS 31 P

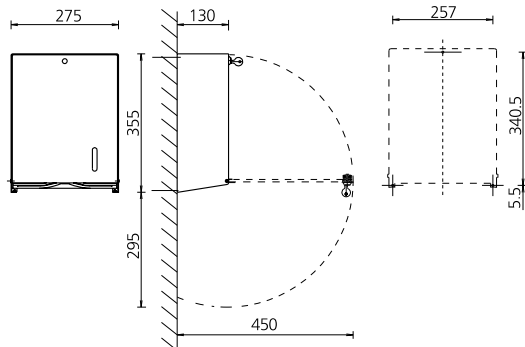
Hygienic paper towel dispenser out of metal

Art. No. 1416730

OPHARDT
HYGIENE

OPHARDT HYGIENE-TECHNIK GmbH
Lindenau 27 | 47661 Issum | Germany
Tel.: +49 (0) 28 35 18-10 | Fax +49 (0) 28 35 18-77
planer@ophardt.com | www.ophardt.com

IMP HS 31



Maße in mm - Dimensions in mm



References

hospitals, clinics, retirement/care homes, dental practices, restaurants, commercial kitchen, industry, conference centres, laboratories, food processing areas, rehabilitation facilities, rescue stations, administration facilities

Usage examples

Passage area, entrance area, Intensive care units, dialysis stations, surgery areas, nursing and examination rooms, clean room, therapy rooms

Technical data

Housing:	Aluminium, white powder-coated (RAL 9010)
Filling volume (sheet):	approx. 500-600 sheets
Paper type:	C-fold, Layerfold, Z-Fold, ZZ-Fold, V-Fold, Zick-Zack, Multi- and Interfold
Mounting:	Wall mounting with 3 screws and wall plugs
Cleaning:	manual wipe disinfection, not dishwashersafe, not autoclavable
Warranty:	5 years
Net weight:	3.2 kg
Dimensions (W x H x D) in mm:	275x356x131
Note:	Before using new products, please always check the compatibility of the product and the dispensing system to ensure proper functionality.