

HS 31 A

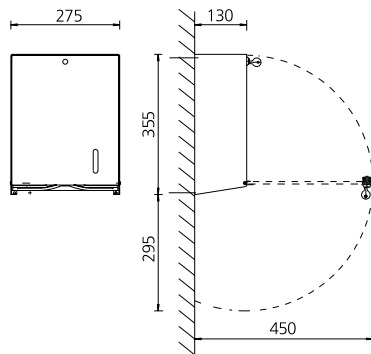
High-quality paper towel dispenser for hand drying

Art. No. 778900

 **OPHARDT**
HYGIENE

OPHARDT HYGIENE-TECHNIK GmbH
Lindenau 27 | 47661 Issum | Germany
Tel.: +49 (0) 28 35 18-10 | Fax: +49 (0) 28 35 18-77
planer@ophardt.com | www.ophardt.com

HS 31



Maße in mm - Dimensions in mm



References

hospitals, clinics, retirement/care homes, dental practices, fitness and sports centres, restaurants, commercial kitchen, industry, laboratories, food processing areas, rehabilitation facilities, rescue stations

Usage examples

washrooms, Intensive care units, nursing and examination rooms, clean room, kitchens, toilets

Technical data

Housing:	Aluminium, matte silver anodized
Filling volume (sheet):	approx. 500-600 sheets
Paper type:	C-fold, Layerfold, ZZ-Fold, V-Fold, Zick-Zack
Lock:	ingo-man vandalism-proof lock made of plastic
Mounting:	Wall mounting with 3 screws and wall plugs
Cleaning:	manual wipe disinfection, not dishwashersafe, not autoclavable
Warranty:	5 years
Net weight:	1.16 kg
Dimensions (W x H x D) in mm:	275x355x130
Note:	Before using new products, please always check the compatibility of the product and the dispensing system to ensure proper functionality.