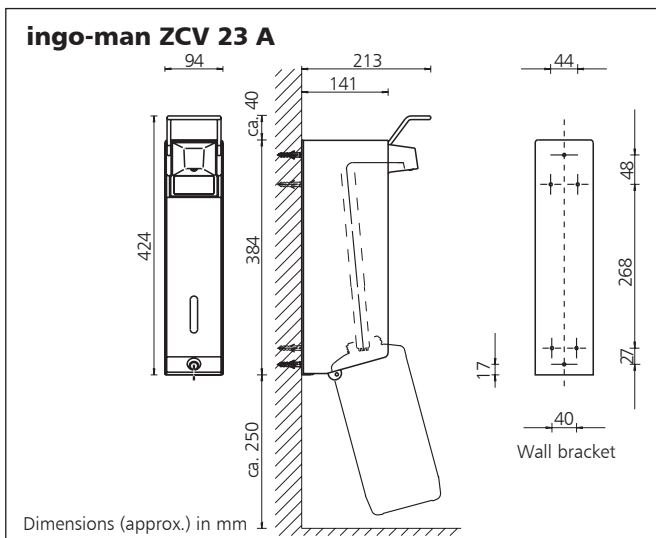
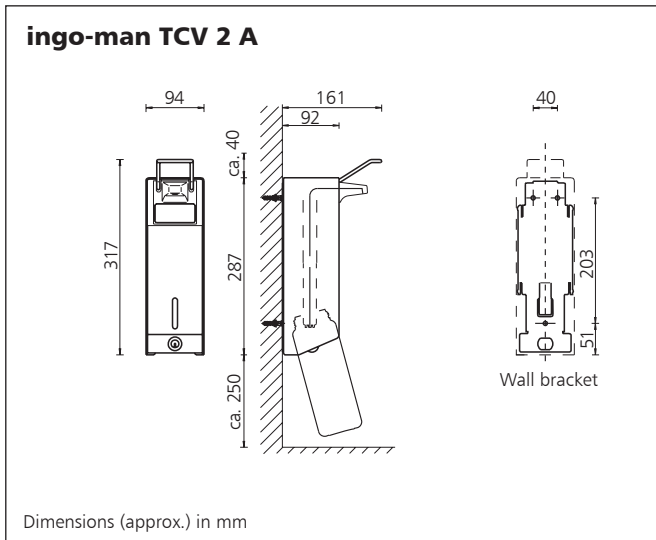


# ingo-man® TCV 2 A • ZCV 23 A

dispenser for the dosage of highly viscous • aluminium  
refillable • free choosable products  
short operating lever

**OPHARDT**  
hygiene

Ophardt Hygiene-Technik GmbH + Co. KG  
Lindenau 27 • D-47661 Issum  
Tel.: +49 2835 18-0 • Fax: +49 2835 18-77  
E-Mail: info@ophardt.com • www.ophardt.com



## Dispenser

- ▶ dispenses highly viscous hand cleaners with abrasive agents and liquid soaps, free flowing pastes
- ▶ ideal for industry
- ▶ removable for cleaning
- ▶ dishwasher proof
- ▶ lockable, locking plate with visual slot for the level control

## Technical Data TCV 2 A

- Housing: Aluminium, silver anodized  
Dosing pump: Stainless steel and plastic, approx. 2,3 ml/stroke, reducible in 2 steps at approx. 0,9 ml/stroke  
Operating lever: Stainless steel  
Wall bracket: Plastic  
Marking clip: white (for product differentiation)  
Bottle: HDPE bottle 1000 ml with large opening for refilling  
Locking plate: Aluminium, silver anodized  
Lock: Plastic  
Key: Metal  
Wall mounting: with three plugs and screws

## Technical Data ZCV 23 A

- Housing: Aluminium, silver anodized  
Dosing pump: Stainless steel and plastic, approx. 5,7 ml/stroke, reducible in 2 steps at approx. 2,2 ml/stroke  
Operating lever: Stainless steel  
Wall bracket: Plastic  
Marking clip: white (for product differentiation)  
Bottle: HDPE bottle 1000 ml with large opening for refilling  
Locking plate: Aluminium, silver anodized  
Lock: Plastic  
Key: Metal  
Wall mounting: with five plugs and screws

## Description for tender

..... pcs. **ingo-man TCV 2 A Art.-No 221800**  
dispenser for highly viscous hand cleaners with abrasive agents, liquid soap, free flowing pastes, 1000 ml, aluminium, silver anodized, short stainless steel operating lever HDPE bottle (large opening for refilling), one clip, locking plate with visual slot  
Dimensions: W 94 x H 317 x D 161 mm

..... pcs. **ingo-man ZCV 23 A Art.-No. 209200**  
dispenser for highly viscous hand cleaners with abrasive agents, liquid soap, free flowing pastes, 2500 ml, aluminium, silver anodized, short stainless steel operating lever HDPE bottle (large opening for refilling), one clip, locking plate with visual slot  
Dimensions: W 94 x H 424 x D 213 mm

Product: **ingo-man®**  
Manufacturer: OPHARDT HYGIENE-TECHNIK GmbH + Co. KG