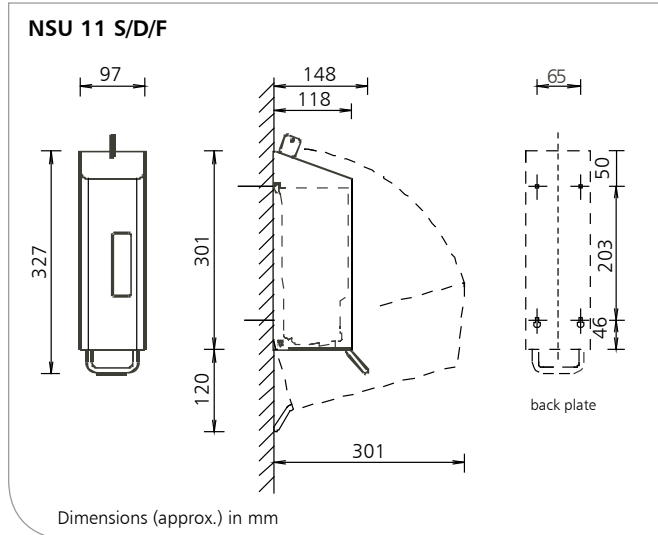


### NSU 11 S/D/F

Dispenser for liquid soaps (S), disinfectants (D) and foam soaps (F), stainless steel (AFP) or powder-coated, 1200 ml



#### Product characteristics

- ▶ Dispenser for dosing liquid soaps and disinfectants (S), low-viscosity hand disinfectants with spray pump (D) or foam soap (F)
- ▶ Refillable soap dispenser with 1200 ml volume plus overflow quantity
- ▶ Housing with sloped lid to prevent foreign objects being placed on the dispenser
- ▶ High-quality and robust stainless steel housing
- ▶ Hygienic and easy-to-clean stainless steel operating lever
- ▶ Plastic lock with anti-vandalism function
- ▶ Press-actuation protects the wall attachment
- ▶ Modular system with replaceable container/pump unit, for liquid soaps and disinfectants (S), low-viscosity hand disinfectants with spray pump (D) or foam soap (F)
- ▶ Dispensing quantity ca. 0.7 ml/stroke (D spray pump), ca. 0.7 ml/stroke (F foam pump), ca. 1.5 ml/stroke (S soap pump)
- ▶ Easily filled from above
- ▶ Open without wall contact
- ▶ Container easily removed for cleaning
- ▶ Viewing window to check fill level
- ▶ Incl. mounting kit for four-point wall mounting

#### Interesting information

- References:
- ▶ Conference centres, exhibitions, airports, train stations, catering, retirement/care homes, hospitals, laboratories, commercial kitchen, food processing, industry, shopping centres, hotels, correctional facilities, schools, kindergartens, sports centres, administration facilities

#### Application examples:

- ▶ Washrooms, toilets, baths, care and examination rooms, kitchens, production facilities, entrance areas

#### Technical data

- Housing: Stainless steel AISI 304, brushed with Anti-Fingerprint-Coating (AFP), powder-coated white (RAL 9010) or powder-coated matte black (RAL 9005)
- Operating lever: Stainless steel AISI 304
- Viewing window: Transparent plastic
- Dosing pump: For liquid soaps and disinfectants (S), low-viscosity hand disinfectants with spray pump (D) or foam soap (F), dispensing quantity ca. 0.7 (D) – 0.7 (F) – 1.5 (S) ml/stroke
- Lock: Vandalism-proof lock, plastic
- Wall mounting: Wall mounting with 4 screws and wall plugs
- Weight: 1,560 kg

Description for tender - see overleaf

NSU 11 S/D/F/0121/2.0



Subject to technical modifications.  
Product compatibility testing required before  
new filling materials are used!



OPHARDT HYGIENE-TECHNIK GmbH + Co. KG  
Lindenau 27 | 47661 Issum | Germany  
Tel.: +49 (0) 28 35 18-10 | Fax +49 (0) 28 35 18-77  
planer@ophardt.com | www.ophardt.com

# NSU 11 S/D/F

Dispenser for liquid soaps (S), disinfectants (D)  
and foam soaps (F), stainless steel (AFP) or powder-coated, 1200 ml

## Description for tender

... Pcs. **SanTRAL® Classic NSU 11 E/S Steel Touch (ST)**  
**Art. No. 1415817**  
Dispenser for liquid soaps and disinfectant, 1200 ml, brushed stainless steel housing with OPHARDT Hygiene Anti-Fingerprint-Coating (AFP), stainless steel back plate, stainless steel operating lever, press-actuation, with vandalism-proof lock, viewing window for monitoring filling level, removable refillable container, free choice of manufacturers for refill materials, housing with sloped lid to prevent foreign objects being placed on the dispenser  
Dimensions: W 97 x H 327 x D 148 mm

... Pcs. **SanTRAL® Classic NSU 11 E/F Steel Touch (ST)**  
**Art. No. 1415312**  
Dispenser for foam soaps, 1200 ml, brushed stainless steel housing with OPHARDT Hygiene Anti-Fingerprint-Coating (AFP), stainless steel back plate, stainless steel operating lever, press-actuation, with vandalism-proof lock, viewing window for monitoring filling level, removable refillable container, free choice of manufacturers for refill materials, housing with sloped lid to prevent foreign objects being placed on the dispenser  
Dimensions: W 97 x H 327 x D 148 mm

... Pcs. **SanTRAL® Classic NSU 11 E/D Steel Touch (ST)**  
**Art. No. 1415819**  
Dispenser for disinfectant with spray pump, 1200 ml, brushed stainless steel housing with OPHARDT Hygiene Anti-Fingerprint-Coating (AFP), stainless steel back plate, stainless steel operating lever, press-actuation, with vandalism-proof lock, viewing window for monitoring filling level, removable refillable container, free choice of manufacturers for refill materials, housing with sloped lid to prevent foreign objects being placed on the dispenser  
Dimensions: W 97 x H 327 x D 148 mm

## Additional models:

### for liquid soaps:

NSU 11 P/S Ivory White (IW), white RAL 9010 Art. No. 1415818  
NSU 11 P/S Midnight (MN), matte black RAL 9005 Art. No. 1421986

### for foam soaps:

NSU 11 P/F Ivory White (IW), white RAL 9010 Art. No. 1415413  
NSU 11 P/F Midnight (MN), matte black RAL 9005 Art. No. 1422642

### with spray pump for dosing of disinfectants:

NSU 11 P/D Ivory White (IW), white RAL 9010 Art. No. 1415820  
NSU 11 P/D Midnight (MN), matte black RAL 9005 Art. No. 1422857

## Additional RAL Classic colours available upon request.

Product: **SanTRAL® Classic**  
Manufacturer: OPHARDT HYGIENE-TECHNIK GmbH + Co. KG

## Compatible accessories

- ▶ Stainless steel drip tray for mounting with the dispenser (preset distance from the bottom edge)  
Art. No. 1420578  
Dimensions: W 95 x H 186 x D 128.3 mm
- ▶ Stainless steel drip tray for mounting under the dispenser (distance from the bottom edge can be freely selected, additional mounting holes)  
Art. No. 1420577  
Dimensions: W 95 x H 30 x D 128.3 mm