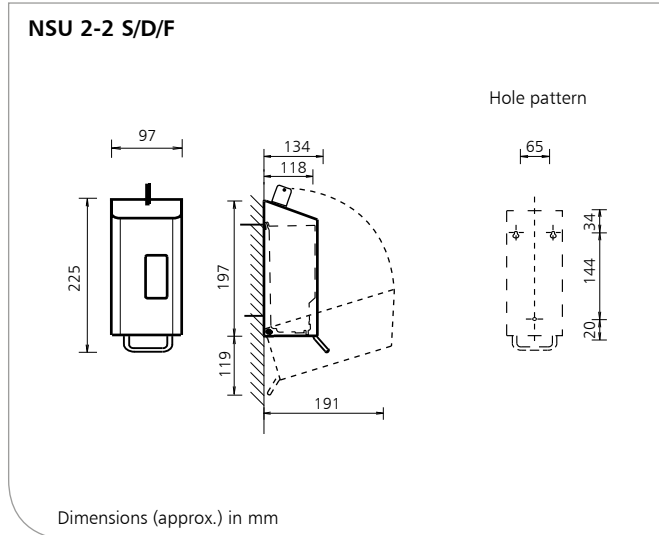


NSU 2-2 S/D/F

Dispenser for liquid soaps (S), disinfectants (D) and foam soaps (F), stainless steel (AFP) or powder-coated, 250 ml



Product characteristics

- ▶ Dispenser for dosing liquid soaps and disinfectants (S), low-viscosity hand disinfectants with spray pump (D) or foam soap (F)
- ▶ Refillable soap dispenser with 250 ml volume plus overflow quantity
- ▶ Housing with sloping lid to prevent foreign objects being placed on the dispenser
- ▶ High-quality and robust stainless steel housing
- ▶ Hygienic and easy-to-clean stainless steel operating lever
- ▶ Plastic lock with anti-vandalism function
- ▶ Dispenser housing opens upwards without wall contact
- ▶ Press-actuation protects the wall attachment
- ▶ Modular system with replaceable container/pump unit, for liquid soaps and disinfectants (S), low-viscosity hand disinfectants with spray pump (D) or foam soap (F)
- ▶ Dispensing quantity ca. 1.5 ml/stroke (S lotion pump), ca. 0.7 ml/stroke (D spray pump), ca. 0.7 ml/stroke (F foam pump),
- ▶ Easily filled from above
- ▶ Container easily removed for cleaning
- ▶ Viewing window for monitoring filling level
- ▶ Incl. mounting kit for three-point wall mounting

Interesting information

References:

- ▶ Conference centres, exhibitions, airports, train stations, catering, retirement/care homes, hospitals, laboratories, commercial kitchen, food processing, industry, shopping centres, hotels, correctional facilities, schools, kindergartens, sports centres, administration facilities

Application examples:

- ▶ Washrooms, toilets, baths, care and examination rooms, kitchens, entrance areas

Technical data

Housing:	Stainless steel AISI 304, brushed with Anti-Fingerprint Coating (AFP) or powder-coated white (RAL 9010)
Operating lever:	Stainless steel AISI 304
Viewing window:	Transparent plastic
Dosing pump:	For liquid soaps and disinfectants (S), low-viscosity hand disinfectants with spray pump (D) or foam soap (F), dispensing quantity ca. 0.7 (D) – 0.7 (F) – 1.5 (S) ml/stroke
Lock:	Anti-vandalism lock, plastic
Wall mounting:	Wall mounting with 3 screws and wall plugs

Description for tender - see overleaf

NSU 2-2 S/D/F/0420/2.0



Subject to technical modifications.
Tests are required before new filling materials are used!



OPHARDT HYGIENE-TECHNIK GmbH + Co. KG
Lindenau 27 | 47661 Issum | Germany
Tel.: +49 (0) 28 35 18-10 | Fax +49 (0) 28 35 18-77
planer@ophardt.com | www.ophardt.com

NSU 2-2 S/D/F

Dispenser for liquid soaps (S), disinfectants (D)
and foam soaps (F), stainless steel (AFP) or powder-coated, 250 ml

Description for tender

... Pcs. **SanTRAL® NSU 2-2 E/S Art. No. 1423245** Pcs.
Dispenser for disinfectant and liquid soaps, 250 ml, brushed stainless steel housing with OPHARDT Hygiene Anti-Fingerprint Coating (AFP), stainless steel back plate, stainless steel operating lever, press-actuation, special lock with anti-vandalism function, viewing window for monitoring filling level, removable refillable container, free choice of manufacturers for refill materials, housing with sloped lid to prevent foreign objects being placed on the dispenser
Dimensions (W x H x D) 97 x 225 x 134 mm

... Pcs. **SanTRAL® NSU 2-2 P/S Art. No. 1423250** Pcs.
Dispenser for disinfectant and liquid soaps, 250 ml, white (RAL 9010) powder-coated stainless steel housing, stainless steel back plate, stainless steel operating lever, press-actuation, special lock with anti-vandalism function, viewing window for monitoring filling level, removable refillable container, free choice of manufacturers for refill materials, housing with sloped lid to prevent foreign objects being placed on the dispenser
Dimensions (W x H x D) 97 x 225 x 134 mm

... Pcs. **SanTRAL® NSU 2-2 E/D Art. No. 1423246**
Dispenser for disinfectant, 250 ml, brushed stainless steel housing with OPHARDT Hygiene Anti-Fingerprint Coating (AFP), stainless steel back plate, stainless steel operating lever, press-actuation, special lock with anti-vandalism function, viewing window for monitoring filling level, removable refillable container, free choice of manufacturers for refill materials, housing with sloped lid to prevent foreign objects being placed on the dispenser
Dimensions (W x H x D) 97 x 225 x 134 mm

... Pcs. **SanTRAL® NSU 2-2 P/D Art. No. 1423251**
Dispenser for disinfectant, 250 ml, white (RAL 9010) powder-coated stainless steel housing, stainless steel back plate, stainless steel operating lever, press-actuation, special lock with anti-vandalism function, viewing window for monitoring filling level, removable refillable container, free choice of manufacturers for refill materials, housing with sloped lid to prevent foreign objects being placed on the dispenser
Dimensions (W x H x D) 97 x 225 x 134 mm

SanTRAL® NSU 2-2 E/F Art. No. 1423238
Dispenser for foam soaps, 250 ml, brushed stainless steel housing with OPHARDT Hygiene Anti-Fingerprint Coating (AFP), stainless steel back plate, stainless steel operating lever, press-actuation, special lock with anti-vandalism function, viewing window for monitoring filling level, removable refillable container, free choice of manufacturers for refill materials, housing with sloped lid to prevent foreign objects being placed on the dispenser
Dimensions (W x H x D) 97 x 225 x 134 mm

SanTRAL® NSU 2-2 P/F Art. No. 1423252
Dispenser for foam soaps, 250 ml, white (RAL 9010) powder-coated stainless steel housing, stainless steel back plate, stainless steel operating lever, press-actuation, special lock with anti-vandalism function, viewing window for monitoring filling level, removable refillable container, free choice of manufacturers for refill materials, housing with sloped lid to prevent foreign objects being placed on the dispenser
Dimensions (W x H x D) 97 x 225 x 134 mm

Product: **SanTRAL®**
Manufacturer: OPHARDT HYGIENE-TECHNIK GmbH + Co. KG

Compatible accessories

- ▶ Stainless steel drip guard for mounting with the dispenser (preset distance from the bottom edge)
Art. No. 1420578
Dimensions (W x H x D) 95 x 186 x 128.3mm
- ▶ Stainless steel drip guard for mounting under the dispenser (distance from the bottom edge can be freely selected, additional mounting holes)
Art. No. 1420577
Dimensions (W x H x D) 95 x 30 x 128.3mm