

# RX 5 K Pump Unit

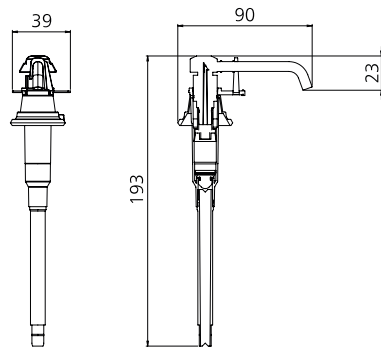
High-quality pump for soaps, disinfectants and lotions

Art.-No. 4401434

 **OPHARDT**  
HYGIENE

**OPHARDT HYGIENE-TECHNIK GmbH**  
Lindenau 27 | 47611 Issum | Germany  
Tel.: +49 (0) 28 35 18-10 | Fax +49 (0) 28 35 18-77  
planer@ophardt.com | www.ophardt.com

## RX 5 K Pump



Maße in mm - Dimensions in mm



## References

hospitals, clinics, retirement/care homes, dental practices, fitness and sports centres, restaurants, commercial kitchen, industry, conference centres, laboratories, food processing areas, rehabilitation facilities, rescue stations, administration facilities

## Usage examples

Passage area, entrance area, Intensive care units, dialysis stations, nursing and examination rooms, therapy rooms

## Technical data

Filling volume (ml):	500 ml
Dosing pump:	long-life plastic pump with straight suction tube
Dosage quantity:	1.0 ml/stroke, 1.5 ml/stroke
Filling good:	Liquid soaps, Disinfectant
Cleaning:	dishwashersafe (60° C)
Net weight:	0.018 kg
Dimensions (W x H x D) in mm:	39x193x90
Note:	Before using new products, please always check the compatibility of the product and the dispensing system to ensure proper functionality.