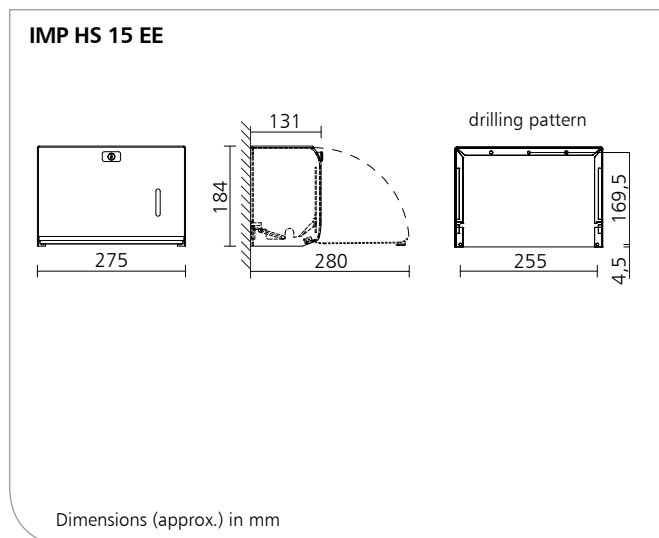
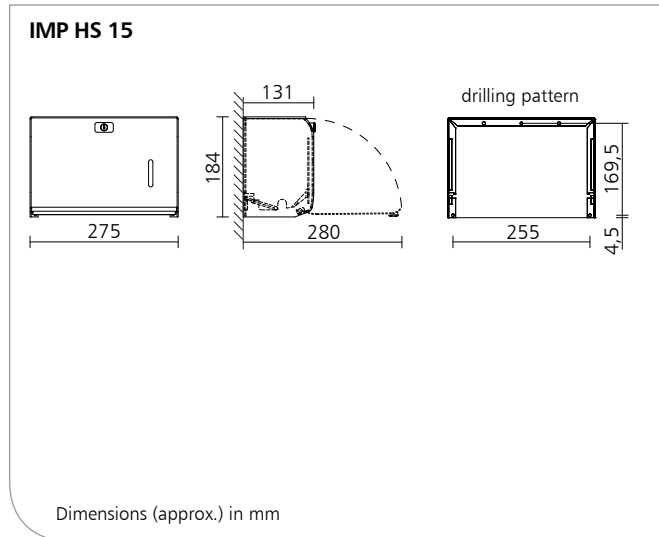


## IMP HS 15

paper towel dispenser, for all current paper towels  
aluminium- or stainless steel housing, approx. 300 sheets



### Product characteristics

- ▶ Dispenser for the dosage of folding paper towels
- ▶ Filling volume approx. 300 sheets
- ▶ Compatible with all common folding types (ZZ-, Z- and Layerfold)
- ▶ Hygienic paper towel removal
- ▶ Easy filling from above
- ▶ Window for filling level control
- ▶ Incl. mounting kit

### Interesting information

References: ▶ Clinics, doctors' practices, health and care facilities, laboratories, rescue stations, commercial kitchens, foodstuffs industry

Application examples:

- ▶ Particularly well suited to areas where hand hygiene is critical and in medical and food processing areas

### Technical data HS 15 A/HS 15 P

Housing: Aluminium, matt silver anodized or white powder-coated (RAL 9010) with corresponding front

Paper removal: Synthetics

Lock: Universal plastic snap lock (Snap function without using the key, as well as locking function via key-operated use)

Wall mounting: Wall mounting with 3 screws and wall plugs

### Technical data HS 15 EE

Housing: Stainless steel, brushed with corresponding front

Paper removal: Synthetics

Lock: Universal plastic snap lock (Snap function without using the key, as well as locking function via key-operated use)

Wall mounting: Wall mounting with 4 screws and wall plugs

Description for tender - see overleaf

IMP HS 15/0420/2.1



Subject to technical modifications.  
Tests are required before new filling materials are used!



**OPHARDT HYGIENE-TECHNIK GmbH + Co. KG**  
Lindenau 27 | 47661 Issum | Germany  
Tel.: +49 (0) 28 35 18-10 | Fax +49 (0) 28 35 18-77  
planer@ophardt.com | www.ophardt.com

# IMP HS 15

paper towel dispenser, for all current paper towels  
aluminium- or stainless steel housing, approx. 300 sheets

## Description for tender

### **ingo-man® plus IMP HS 15 A**

#### **Art. No. 2400316**

. . . Pcs. paper towel dispenser, standard layer fold or ZZ-fold paper, approx. 300 sheets, matt silver anodized aluminium housing, lockable, with snap lock, the paper removal is designed comfortable, with ergonomically rounded edges for convenient removal of paper towels  
Dimensions: W 275 x H 184 x D 131 mm

### **ingo-man® plus IMP HS 15 P**

#### **Art. No. 1420228**

. . . Pcs. paper towel dispenser, standard layer fold or ZZ-fold paper, approx. 300 sheets, white powder-coated (RAL 9010) aluminium housing, lockable, with snap lock, the paper removal is designed comfortable, with ergonomically rounded edges for convenient removal of paper towels  
Dimensions: W 275 x H 184 x D 131 mm

### **ingo-man® plus IMP HS 15 EE**

#### **Art. No. 1420229**

. . . Pcs. paper towel dispenser, standard layer fold or ZZ-fold paper, approx. 300 sheets, brushed stainless steel housing, lockable, with snap lock, the paper removal is designed comfortable, with ergonomically rounded edges for convenient removal of paper towels  
Dimensions: W 275 x H 184 x D 131 mm

Product:

**ingo-man® plus**

Manufacturer:

OPHARDT HYGIENE-TECHNIK GmbH + Co. KG