

RX 10 K Pump Unit

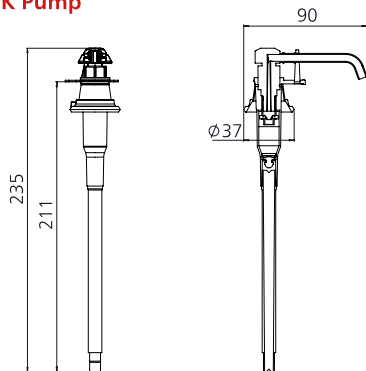
High-quality pump for soaps, disinfectants and lotions

Art.-No. 4402734

 **OPHARDT**
HYGIENE

OPHARDT HYGIENE-TECHNIK GmbH
Lindenau 27 | 47611 Issum | Germany
Tel.: +49 (0) 28 35 18-10 | Fax +49 (0) 28 35 18-77
planer@ophardt.com | www.ophardt.com

RX 10 K Pump



Maße in mm - Dimensions in mm



References

hospitals, clinics, retirement/care homes, dental practices, fitness and sports centres, restaurants, commercial kitchen, industry, conference centres, laboratories, food processing areas, rehabilitation facilities, rescue stations, administration facilities

Usage examples

Passage area, entrance area, Intensive care units, dialysis stations, nursing and examination rooms, therapy rooms

Technical data

Filling volume (ml):	1000 ml
Dosing pump:	long-life plastic pump with straight suction tube
Dosage quantity:	0.8 / 1.1 / 1.5 ml/stroke
Filling good:	Liquid soaps, Disinfectant
Cleaning:	dishwashersafe (60° C)
Dimensions (W x H x D) in mm:	37x235x90
Note:	Before using new products, please always check the compatibility of the product and the dispensing system to ensure proper functionality.