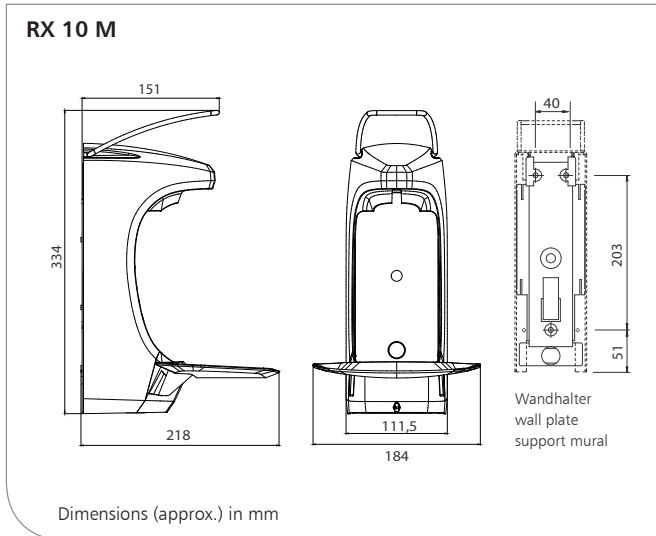


RX 10 M

Soap and disinfectant dispenser for disposable bottles as well as refillable containers and hygiene packages, „Safety-Click“ drip tray, replaceable pump, 1000 ml, lockable option available



Product characteristics

- ▶ Dispenser for liquid soaps, alcohol-based hand disinfectants, alco-gels and flowable lotions
- ▶ For 1000 ml disposable bottles as well as refillable containers (Eurobottle) and hygiene packages
- ▶ With replaceable pump
- ▶ Compatible with Disposable Hygiene Pump (DHP)
- ▶ With „Safety-Click“ drip tray
- ▶ Hygienic glossy, easy-clean surface
- ▶ For wall mounting

Interesting information

References:

- ▶ Conference centres, exhibitions, airports, train stations, restaurants, retirement/care homes, hospitals, laboratories, commercial kitchen, food processing, shopping centres, hotels, schools, child care facilities, sports centres, administration facilities

Application examples:

- ▶ Passage areas, entrance areas, washrooms, care and examination rooms, kitchens

Technical data

Housing:	Plastic
Operating lever:	Stainless steel
Drip tray:	Plastic
Bottle:	Plastic
Dosing pumps:	DHP disposable hygiene pump (made with recyclable plastic) or with long-life plastic pump
Dispensing quantity:	DHP pump: 1.5 ml/stroke; long-life plastic pump: adjustable 0.8/ 1.1/ 1.5 ml/stroke
Weight:	730 g
Key:	Plastic (lockable version)
Back plate:	Standard ingo-man® 1000 ml plastic back plate
Mounting:	with 3 screws and wall plugs

Description for tender - see overleaf

Subject to technical modifications.
Tests are required before new filling materials are used!



OPHARDT HYGIENE-TECHNIK GmbH + Co. KG
Lindenau 27 | 47661 Issum | Germany
Tel.: +49 (0) 28 35 18-10 | Fax +49 (0) 28 35 18-77
planer@ophardt.com | www.ophardt.com

RX 10 M

Soap and disinfectant dispenser for disposable bottles as well as refillable containers and hygiene packages, „Safety-Click“ drip tray, replaceable pump, 1000 ml, lockable option available



Description for tender

... Pcs.	RX 10 M DHP, non-lockable, with white drip tray Art. No. 4402745 Soap and disinfectant dispenser, with white „Safety-Click“ drip tray, suitable for alco-gel and flowable lotions, 1000 ml, stainless steel operating lever, for wall mounting, suitable for standard disposable bottles, refillable containers and hygiene packages, (conforming with the latest hygiene regulations and standards), housing made of robust plastic, white, with disposable hygiene pump, easy replacement of disposable hygiene pump through front removal, dosage 1.5 ml/stroke Dimensions: W 184 x H 334 x D 218 mm	... Pcs.	RX 10 M DHP, non-lockable, with clear drip tray Art. No. 4402749 Soap and disinfectant dispenser, with clear „Safety-Click“ drip tray incl. instructional graphics, suitable for alco-gel and flowable lotions, 1000 ml, stainless steel operating lever, for wall mounting, suitable for standard disposable bottles, refillable containers and hygiene packages, (conforming with the latest hygiene regulations and standards), housing made of robust plastic, white, easy replacement of disposable hygiene pump through front removal, dosage 1.5 ml/stroke Dimensions: W 184 x H 334 x D 218 mm
... Pcs.	RX 10 M DHP, lockable, with white drip tray Art. No. 4402750 Soap and disinfectant dispenser, lockable, with white „Safety-Click“ drip tray, suitable for alco-gel and flowable lotions, 1000 ml, stainless steel operating lever, for wall mounting, suitable for standard disposable bottles, refillable containers and hygiene packages, (conforming with the latest hygiene regulations and standards), housing made of robust plastic, white, with disposable hygiene pump, easy replacement of disposable hygiene pump through front removal, dosage 1.5 ml/stroke Dimensions: W 184 x H 334 x D 218 mm	... Pcs.	RX 10 M DHP, lockable, with clear drip tray Art. No. 4402754 Soap and disinfectant dispenser, lockable, with clear „Safety-Click“ drip tray incl. instructional graphics, suitable for alco-gel and flowable lotions, 1000 ml, stainless steel operating lever, for wall mounting, suitable for standard disposable bottles, refillable containers and hygiene packages, (conforming with the latest hygiene regulations and standards), housing made of robust plastic, white, easy replacement of disposable hygiene pump through front removal, dosage 1.5 ml/stroke Dimensions: W 184 x H 334 x D 218 mm
... Pcs.	RX 10 M, non-lockable, with white drip tray Art. No. 4402735 Soap and disinfectant dispenser, with white „Safety-Click“ drip tray, suitable for alco-gel and flowable lotions, 1000 ml, stainless steel operating lever, for wall mounting, suitable for standard disposable bottles, refillable containers and hygiene packages, (conforming with the latest hygiene regulations and standards), housing made of robust plastic, white, incl. empty bottle, with permanent plastic pump, easy pump replacement through front removal, adjustable dosage 0.8/ 1.1/ 1.5 ml/stroke Dimensions: W 184 x H 334 x D 218 mm	... Pcs.	RX 10 M, non-lockable, with clear drip tray Art. No. 4402739 Soap and disinfectant dispenser, with clear „Safety-Click“ drip tray incl. instructional graphics, suitable for alco-gel and flowable lotions, 1000 ml, stainless steel operating lever, for wall mounting, suitable for standard disposable bottles, refillable containers and hygiene packages, (conforming with the latest hygiene regulations and standards), housing made of robust plastic, white, incl. empty bottle, with permanent plastic pump, easy pump replacement through front removal, adjustable dosage 0.8/ 1.1/ 1.5 ml/stroke Dimensions: W 184 x H 334 x D 218 mm
... Pcs.	RX 10 M, lockable, with white drip tray Art. No. 4402740 Soap and disinfectant dispenser, lockable, with white „Safety-Click“ drip tray, suitable for alco-gel and flowable lotions, 1000 ml, stainless steel operating lever, for wall mounting, suitable for standard disposable bottles, refillable containers and hygiene packages, (conforming with the latest hygiene regulations and standards), housing made of robust plastic, white, incl. empty bottle, with permanent plastic pump, easy pump replacement through front removal, adjustable dosage 0.8/ 1.1/ 1.5 ml/stroke Dimensions: W 184 x H 334 x D 218 mm	... Pcs.	RX 10 M, lockable, with clear drip tray Art. No. 4402744 Soap and disinfectant dispenser, lockable, with clear „Safety-Click“ drip tray incl. instructional graphics, suitable for alco-gel and flowable lotions, 1000 ml, stainless steel operating lever, for wall mounting, suitable for standard disposable bottles, refillable containers and hygiene packages, (conforming with the latest hygiene regulations and standards), housing made of robust plastic, white, incl. empty bottle, with permanent plastic pump, easy pump replacement through front removal, adjustable dosage 0.8/ 1.1/ 1.5 ml/stroke Dimensions: W 184 x H 334 x D 218 mm

Product:
Manufacturer:

RX
OPHARDT HYGIENE-TECHNIK GmbH + Co. KG