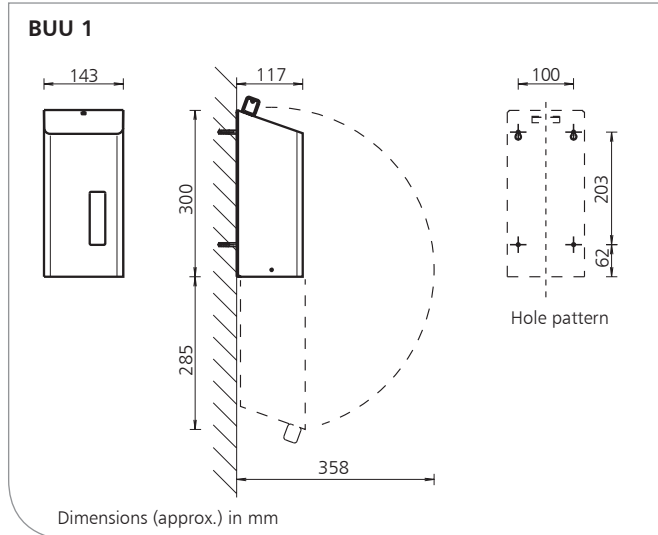


BUU 1

dispenser for folded toilet paper,
stainless steel (AFP) or powder-coated, approx. 650 sheets



Product characteristics

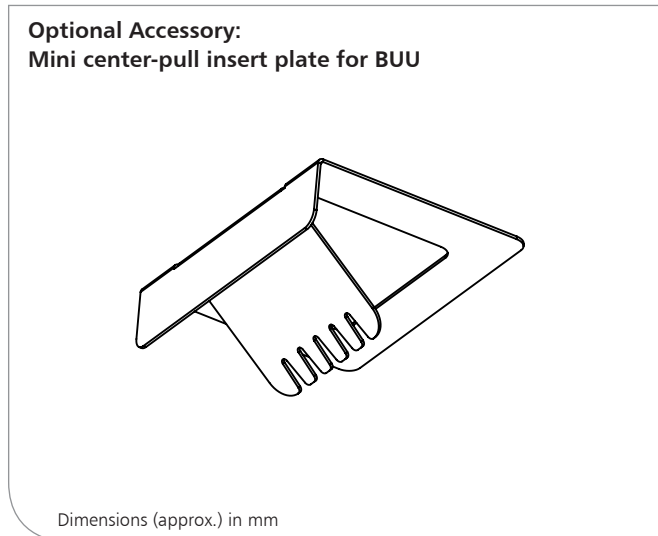
- ▶ Dispenser for folded toilet paper sheets
- ▶ Capacity approx. 650 sheets
- ▶ High-quality and robust stainless steel housing
- ▶ Plastic lock with anti-vandalism function
- ▶ Hygienic removal – hand contact only with the paper towel
- ▶ Hygienic and vandal-resistant stainless steel dispensing aperture
- ▶ Easily filled from above
- ▶ Open without wall contact
- ▶ Viewing window for monitoring filling level
- ▶ Optional with insert plate for conversion to paper towel dispenser, for mini center-pull paper roll
- ▶ Incl. mounting kit for four-point wall mounting

References

- ▶ Conference centres, exhibitions, airports, train stations, catering, retirement/care homes, hospitals, laboratories, commercial kitchen, food processing, industry, shopping centres, hotels, correctional facilities, schools, kindergartens, sports centres, administration facilities

Application examples:

- ▶ Washrooms, toilets, baths, care and examination rooms, kitchens, entrance areas



Technical data

Housing:	Stainless steel AISI 304, brushed with Anti-Fingerprint-Coating (AFP), powder-coated white (RAL 9010) or powder-coated matte black (RAL 9005)
Insert plate:	Stainless steel AISI 304, brushed
Viewing window:	Transparent plastic
Lock:	Vandalism-proof lock, plastic
Wall mounting:	Wall mounting with 4 screws and wall plugs
Weight dispenser:	1,800 kg
Weight insert plate:	0,150 kg

Description for tender - see overleaf

BUU 1/0121/2.0



Subject to technical modifications.
Product compatibility testing required before
new filling materials are used!



OPHARDT HYGIENE-TECHNIK GmbH + Co. KG
Lindenau 27 | 47661 Issum | Germany
Tel.: +49 (0) 28 35 18-10 | Fax +49 (0) 28 35 18-77
planer@ophardt.com | www.ophardt.com

BUU 1

dispenser for folded toilet paper,
stainless steel (AFP) or powder-coated, approx. 650 sheets

Description for tender

SanTRAL® Classic BUU 1 E Steel Touch (ST)
Art. No. 1161800

. . . Pcs. Dispenser for single sheets of toilet tissue papers, (approx. 650 sheets), brushed stainless steel housing with Ophardt Hygiene Anti-Fingerprint-Coating (AFP), stainless steel back plate, with vandalism-proof lock, viewing window for monitoring filling level, free choice of manufacturers for refill materials, housing with sloped lid to prevent foreign objects being placed on the dispenser
Dimensions: W 143 x H 300 x D 117 mm

Additional models:

BUU 1 P Ivory White (IW), white RAL 9010 Art. No. 1161700
BUU 1 P Midnight (MN), matte black RAL 9005 Art. No. 1422875

Additional RAL Classic colours available upon request.

Compatible accessories

BUU 1 insert plate for conversion to paper towel dispenser,
for mini center-pull paper roll,
max. diameter Ø 115 mm, max. height 210 mm
Art. No. 1423838

Product: **SanTRAL® Classic**
Manufacturer: OPHARDT HYGIENE-TECHNIK GmbH + Co. KG