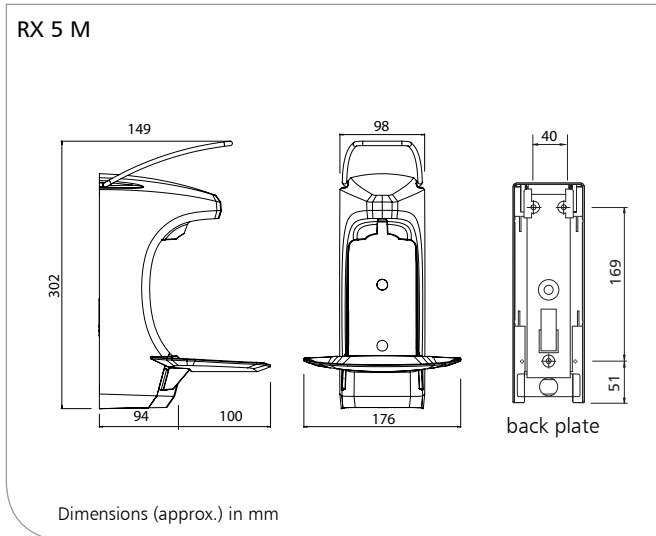


RX 5 M

Soap-/disinfectant dispenser for disposable bottles as well as refillable containers and hygiene packages, optional lockable, with „Safety-Click“ drip tray, replaceable pump, 500 ml



Product characteristics

- ▶ Dispenser for liquid soaps and alcoholic hand disinfectants, alco-gel and flowable lotions
- ▶ For 500 ml disposable bottles as well as refillable containers and hygiene packages
- ▶ With replaceable pump
- ▶ Compatible with Disposable Hygiene Pump (DHP)
- ▶ With „Safety-Click“ drip tray
- ▶ Hygienic glossy, easy-clean surface
- ▶ For wall mounting

Interesting information

References:

- ▶ Conference centres, exhibitions, airports, train stations, gastronomie, retirement/care homes, hospitals, laboratories, commercial kitchen, food processing, shopping centres, hotels, schools, kindergartens, sports centres, administration facilities

Application examples:

- ▶ Passage areas, entrance areas, washrooms, baths, care and examination rooms, kitchens

Technical data

Housing:	Plastic
Operating lever:	Stainless steel
Drip tray:	Plastic
Bottle:	Plastic
Dosing pumps:	DHP disposable hygiene pump (made with recyclable plastic) or with long-life plastic pump
Dispensing quantity:	1.5 ml/stroke
Weight:	0.609 kg
Key:	Plastic (lockable version)
Back plate:	Standard ingo-man® plastic back plate
Mounting:	with 3 screws and wall plugs

Description for tender - see overleaf

RX 5 M/0520/2.2/EN

Subject to technical modifications.
Tests are required before new filling materials are used!



OPHARDT HYGIENE-TECHNIK GmbH + Co. KG
Lindenau 27 | 47661 Issum | Germany
Tel.: +49 (0) 28 35 18-10 | Fax +49 (0) 28 35 18-77
planer@ophardt.com | www.ophardt.com

RX 5 M

Soap-/disinfectant dispenser for disposable bottles as well as refillable containers and hygiene packages, optional lockable, with „Safety-Click“ drip tray, replaceable pump, 500 ml



Description for tender

**RX 5 M DHP, non-lockable, with white drip tray
Art. No. 4401974**

... Pcs. Soap-/disinfectant dispenser, with white „Safety-Click“ drip tray, suitable for alco-gel and flowable lotions, 500 ml, stainless steel operating lever, for wall mounting, suitable for standard disposable bottles, refillable containers and hygiene packages, (conforming with the latest hygiene regulations and standards), housing made of robust plastic, white, easy replacement of disposable hygiene pump through front removal, dosage 1.5 ml
Dimensions: W 176 x H 302 x D 194 mm

**RX 5 M DHP, lockable, with white drip tray
Art. No. 4401975**

... Pcs. Soap-/disinfectant dispenser, lockable, with white „Safety-Click“ drip tray, suitable for alco-gel and flowable lotions, 500 ml, stainless steel operating lever, for wall mounting, suitable for standard disposable bottles, refillable containers and hygiene packages, (conforming with the latest hygiene regulations and standards), housing made of robust plastic, white, easy replacement of disposable hygiene pump through front removal, dosage 1.5 ml
Dimensions: W 176 x H 302 x D 194 mm

**RX 5 M, non-lockable, with white drip tray
Art. No. 4401841**

... Pcs. Soap-/disinfectant dispenser, with white „Safety-Click“ drip tray, suitable for alco-gel and flowable lotions, 500 ml, stainless steel operating lever, for wall mounting, suitable for standard disposable bottles, refillable containers and hygiene packages, (conforming with the latest hygiene regulations and standards), housing made of robust plastic, white, incl. empty bottle, easy pump replacement through front removal, dosage 1.5 ml
Dimensions: W 176 x H 302 x D 194 mm

**RX 5 M, lockable, with white drip tray
Art. No. 4401842**

... Pcs. Soap-/disinfectant dispenser, lockable, with white „Safety-Click“ drip tray, suitable for alco-gel and flowable lotions, 500 ml, stainless steel operating lever, for wall mounting, suitable for standard disposable bottles, refillable containers and hygiene packages, (conforming with the latest hygiene regulations and standards), housing made of robust plastic, white, incl. empty bottle, easy pump replacement through front removal, dosage 1.5 ml
Dimensions: W 176 x H 302 x D 194 mm

**RX 5 M DHP, non-lockable, with clear drip tray
Art. No. 4402252**

... Pcs. Soap-/disinfectant dispenser, with clear „Safety-Click“ drip tray incl. instructional graphics, suitable for alco-gel and flowable lotions, 500 ml, stainless steel operating lever, for wall mounting, suitable for standard disposable bottles, refillable containers and hygiene packages, (conforming with the latest hygiene regulations and standards), housing made of robust plastic, white, easy replacement of disposable hygiene pump through front removal, dosage 1.5 ml
Dimensions: W 176 x H 302 x D 194 mm

**RX 5 M DHP, lockable, with clear drip tray
Art. No. 4402253**

... Pcs. Soap-/disinfectant dispenser, lockable, with clear „Safety-Click“ drip tray incl. instructional graphics, suitable for alco-gel and flowable lotions, 500 ml, stainless steel operating lever, for wall mounting, suitable for standard disposable bottles, refillable containers and hygiene packages, (conforming with the latest hygiene regulations and standards), housing made of robust plastic, white, easy replacement of disposable hygiene pump through front removal, dosage 1.5 ml
Dimensions: W 176 x H 302 x D 194 mm

**RX 5 M, non-lockable, with clear drip tray
Art. No. 4402226**

... Pcs. Soap-/disinfectant dispenser, with clear „Safety-Click“ drip tray incl. instructional graphics, suitable for alco-gel and flowable lotions, 500 ml, stainless steel operating lever, for wall mounting, suitable for standard disposable bottles, refillable containers and hygiene packages, (conforming with the latest hygiene regulations and standards), housing made of robust plastic, white, incl. empty bottle, easy pump replacement through front removal, dosage 1.5 ml
Dimensions: W 176 x H 302 x D 194 mm

**RX 5 M, lockable, with clear drip tray
Art. No. 4402227**

... Pcs. Soap-/disinfectant dispenser, lockable, with clear „Safety-Click“ drip tray incl. instructional graphics, suitable for alco-gel and flowable lotions, 500 ml, stainless steel operating lever, for wall mounting, suitable for standard disposable bottles, refillable containers and hygiene packages, (conforming with the latest hygiene regulations and standards), housing made of robust plastic, white, incl. empty bottle, easy pump replacement through front removal, dosage 1.5 ml
Dimensions: W 176 x H 302 x D 194 mm

Product:
Manufacturer:

RX
OPHARDT HYGIENE-TECHNIK GmbH + Co. KG